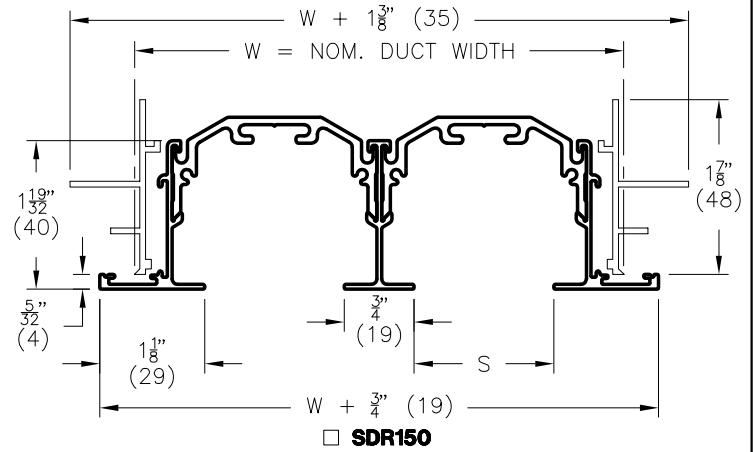
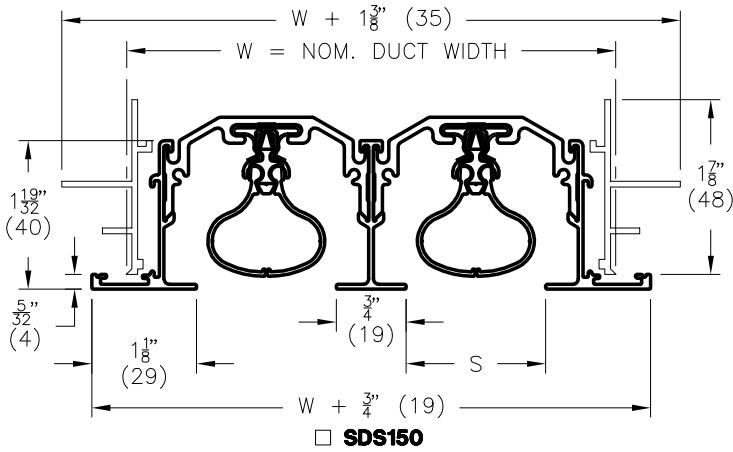
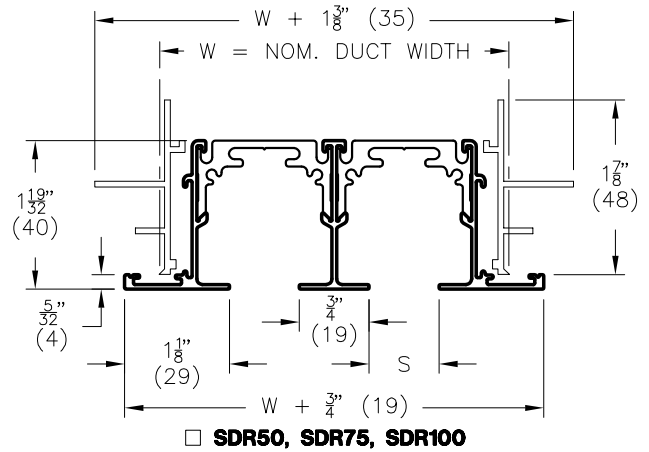
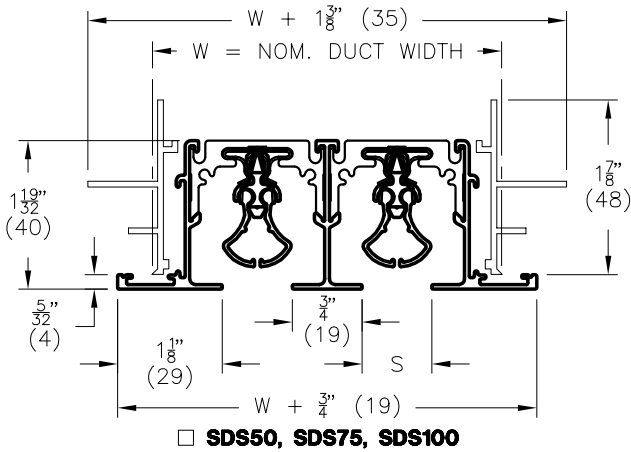


**SDS / SDR LINEAR SLOT DIFFUSER - TYPE 7  
SURFACE MOUNT APPLICATION WITH FLANGED FRAME**



**FINISH:**

- PATTERN CONTROLLERS - B17 BLACK
- DIFFUSER FACE - B12 WHITE (OPTIONAL FINISHES AVAILABLE)

**MATERIAL:**

- EXTRUDED ALUMINUM FRAME
- EXTRUDED ALUMINUM PATTERN CONTROLLERS ON MODELS SDS50, SDS150
- ROLLFORMED STEEL OR EXTRUDED ALUMINUM PATTERN CONTROLLERS ON SDS75, SDS100

**NOTE:**

- MINIMUM LENGTH 8" (203)
- MAXIMUM SECTION LENGTH 72" (1829)
- UNITS 6 SLOT AND LARGER SUPPLIED WITH 1" (25) REINFORCING ANGLES ATTACHED TO DIFFUSER
- 180° AIR PATTERN ADJUSTMENT AVAILABLE
- SEE INSTALLATION INSTRUCTION I100043
- FOR INSTALLATION IN PLASTER OR TILE
- FACTORY TOLERANCE ± 1/32" (1)

**MODELS:**

- |                          |                        |                     |                        |
|--------------------------|------------------------|---------------------|------------------------|
| <b>SUPPLY DIFFUSERS:</b> |                        | <b>RETURNS:</b>     |                        |
| □ SDS50 - 1/2" SLOT      | □ SDR50 - 1/2" SLOT    | □ SDR75 - 3/4" SLOT | □ SDR100 - 1" SLOT     |
| □ SDS75 - 3/4" SLOT      | □ SDR75 - 3/4" SLOT    | □ SDR100 - 1" SLOT  | □ SDR150 - 1 1/2" SLOT |
| □ SDS100 - 1" SLOT       | □ SDR100 - 1" SLOT     |                     |                        |
| □ SDS150 - 1 1/2" SLOT   | □ SDR150 - 1 1/2" SLOT |                     |                        |

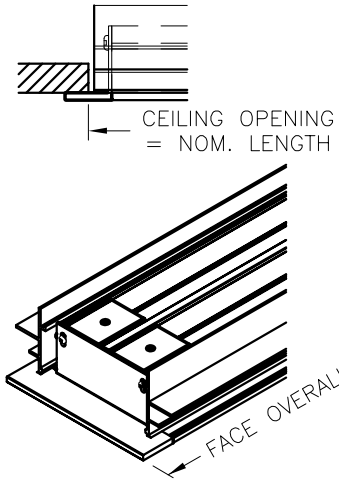
ALL METRIC DIMENSIONS ( ) ARE SOFT CONVERTED. IMPERIAL DIMENSIONS ARE CONVERTED TO METRIC AND ROUNDED TO THE NEAREST MILLIMETER.

<b>PROJECT:</b>		<b>PRICE®</b>	
<b>ENGINEER:</b>		<i>MJ</i>	<b>SDS / SDR</b> TYPE 7 LINEAR DIFFUSER FLANGE PLASTER FRAME
<b>CUSTOMER:</b>		235047	
<b>SUBMITTAL DATE:</b>	<b>SPEC. SYMBOL:</b>	2013/08/30	

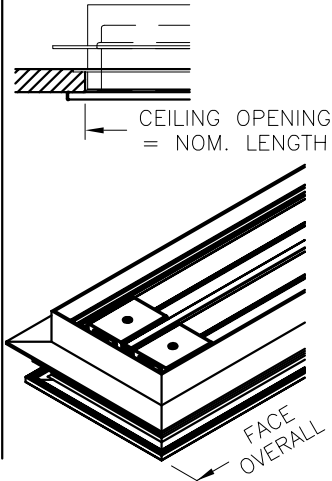
**SDS / SDR LINEAR SLOT DIFFUSER - TYPE 7  
SURFACE MOUNT APPLICATION WITH FLANGED FRAME**

**END CONDITIONS:**

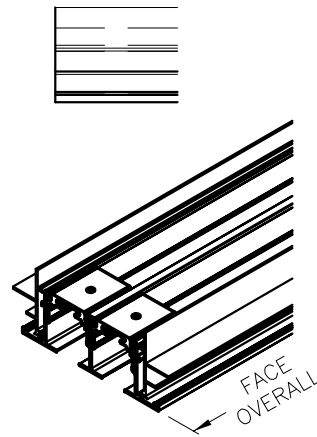
**W - FLANGE END**



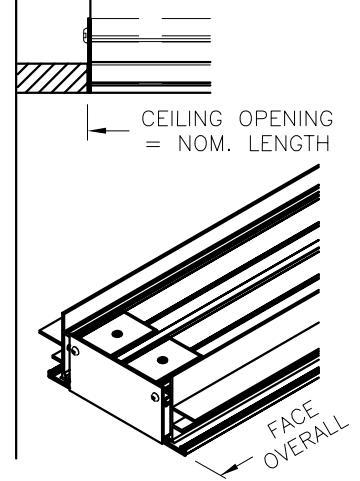
**X - MITRED END**



**Y - OPEN END**  
FOR SPLICING TOGETHER  
MULTIPLE SECTIONS



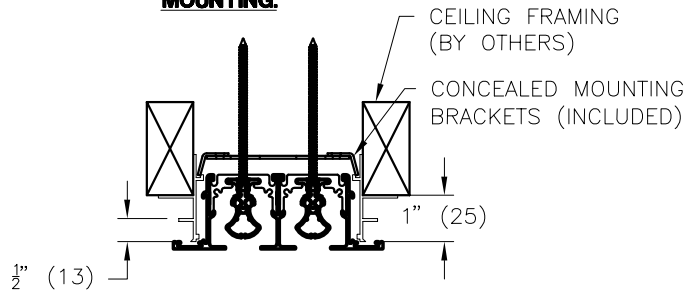
**Z - FLUSH END CAP**



SCREWHEADS EXTEND 1/8" (3) BEYOND  
OPENING DIMENSION ON Z ENDS

END CONDITION	FACE OVERALL LENGTH
W-W	NOM. LENGTH + 1" (25)
W-Y	NOM. LENGTH + 1/2" (13)
X-X	NOM. LENGTH + 3/4" (19)
X-Y	NOM. LENGTH + 3/8" (10)
Y-Y	NOM. LENGTH
Y-Z	NOM. LENGTH
Z-Z	NOM. LENGTH

**MOUNTING:**



SLOTS	W			
	SDS50	SDS75	SDS100	SDS150
1	2" (51)	2 1/4" (57)	2 1/2" (64)	3" (76)
2	3 1/4" (83)	3 3/4" (95)	4 1/4" (108)	5 1/4" (133)
3	4 1/2" (114)	5 1/4" (133)	6" (152)	7 1/2" (191)
4	5 3/4" (146)	6 3/4" (171)	7 3/4" (197)	9 3/4" (248)
5	7" (178)	8 1/4" (210)	9 1/2" (241)	12" (305)
6	8 1/4" (210)	9 3/4" (248)	11 1/4" (286)	14 1/4" (362)
7	9 1/2" (241)	11 1/4" (286)	13" (330)	16 1/2" (419)
8	10 3/4" (273)	12 3/4" (324)	14 3/4" (375)	18 3/4" (476)
9	12" (305)	14 1/4" (362)	16 1/2" (419)	21" (533)
10	13 1/4" (337)	15 3/4" (400)	18 1/4" (464)	23 1/4" (591)

ALL METRIC DIMENSIONS ( ) ARE SOFT CONVERTED. IMPERIAL DIMENSIONS ARE CONVERTED TO METRIC AND ROUNDED TO THE NEAREST MILLIMETER.

<b>PROJECT:</b>		<b>PRICE</b> <sup>®</sup>
<b>ENGINEER:</b>		
<b>CUSTOMER:</b>		<i>MG</i>
<b>SUBMITTAL DATE:</b>		235047
<b>SPEC. SYMBOL:</b>		2013/08/30
<b>SDS / SDR</b> TYPE 7 LINEAR DIFFUSER FLANGE PLASTER FRAME		